

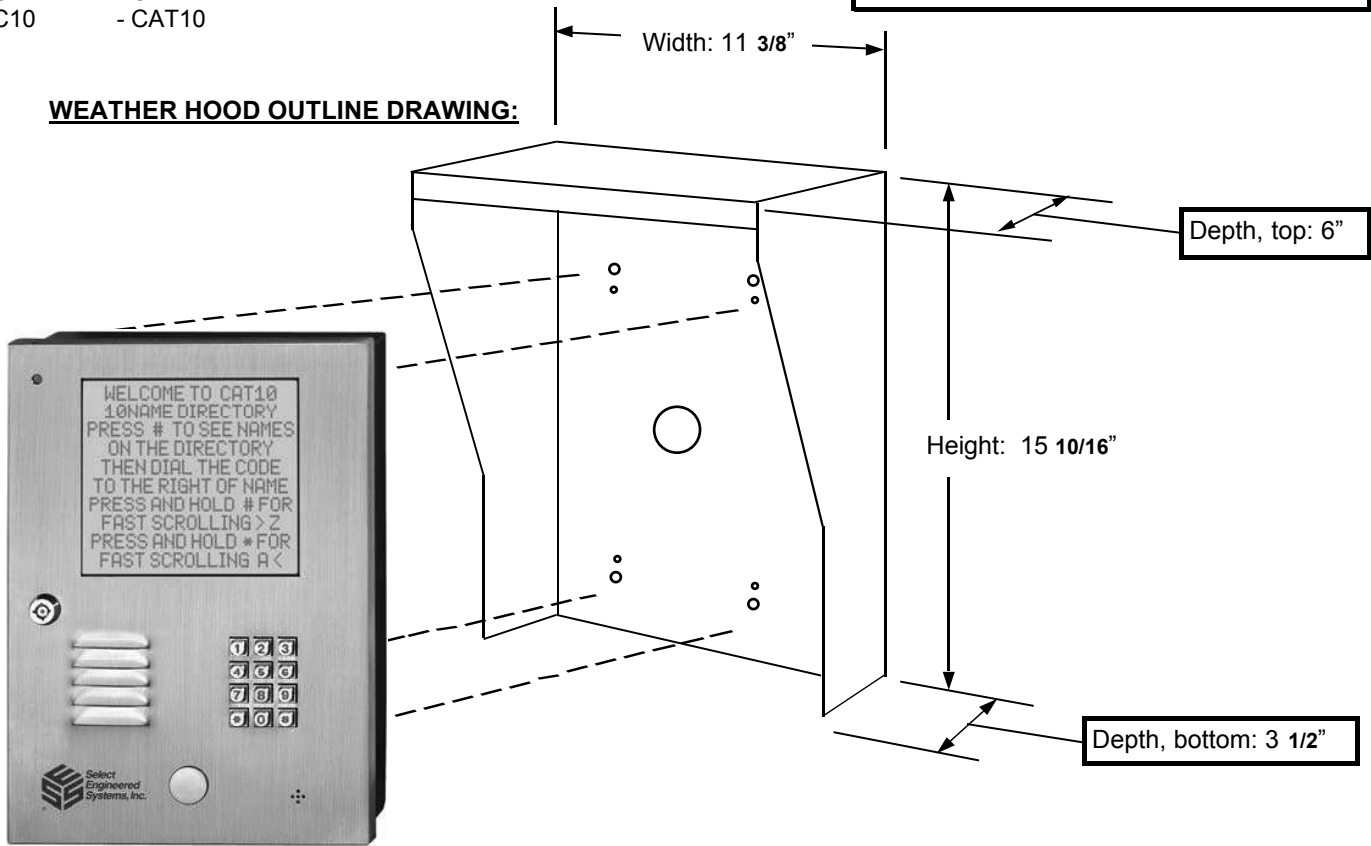
**WHLT2 and WHT2 COMPATIBILITY**

**EQUIPMENT:**

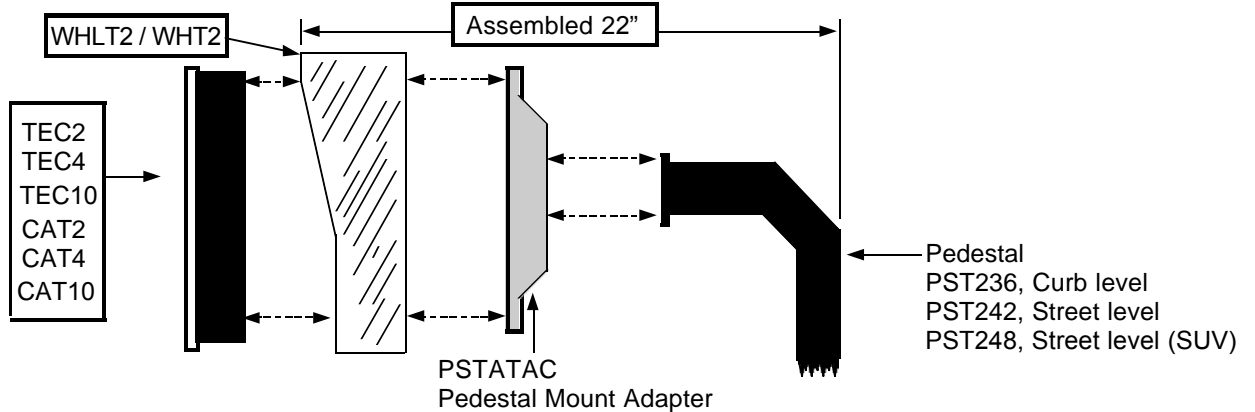
- TEC2            - CAT2
- TEC4            - CAT4
- TEC10          - CAT10


WHLT2/WHT2 (stainless steel construction) Approx. ship weight: 10lbs.

**WEATHER HOOD OUTLINE DRAWING:**



**WEATHER HOOD TO PEDESTAL MOUNT CONFIGURATION:**



	7991 West 26th Avenue, Hialeah, Florida 33016 Web: <a href="http://www.selectses.com">www.selectses.com</a> Email: <a href="mailto:sales@selectses.com">sales@selectses.com</a>		
	Model# WHLT2 (Weather Hood, lighted) Model# WHT2 (Weather Hood, non-lighted)		
Tolerance: N/A	SIZE A	UNITS INCHES	DWG NO Accessory_Tech_Sheet_WHT2/WHLT2
1-800-342-5737	SCALE	N/A	NOT TO SCALE SHEET 1 OF 1
			REV A