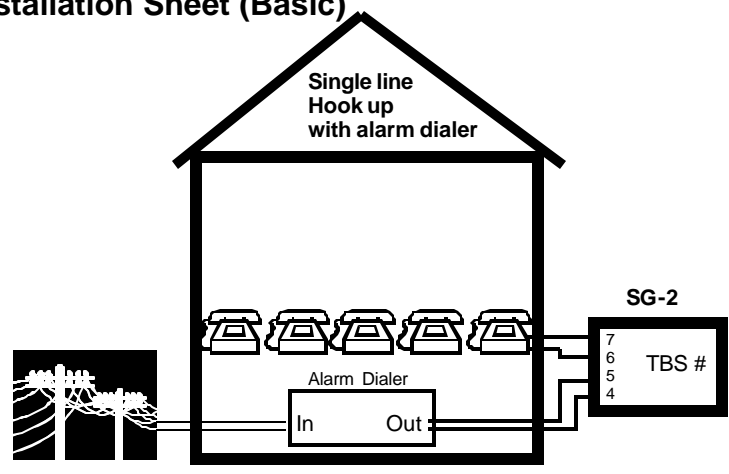
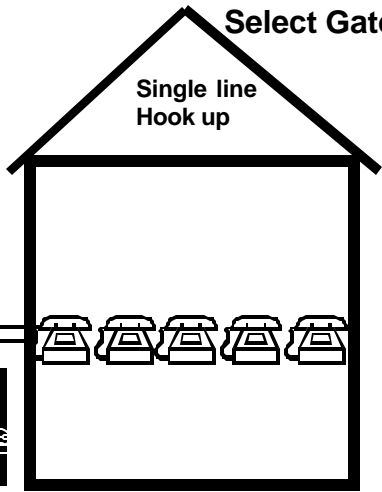
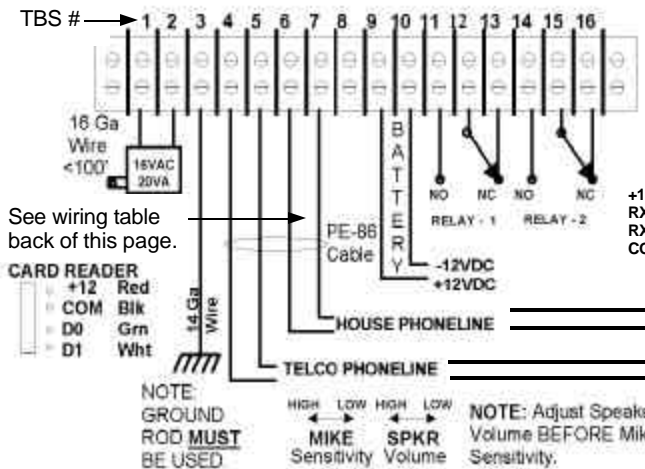


Select Gate-2 Installation Sheet (Basic)



Tel. Co.

Tel. Co.

RJ31-X Connections

Quick Programming

To get into Program Mode:
 Press * and 0 at same time. Hear two beeps.
 Press 4 digits of password (7777 factory default).
 Hear beep after each key press.
 Press *. Hear three beeps.

To Program a Pin code: (Relay 1)
 Press 12 00 1234 00 *. (Pin Code = 1234 in loc. 00.)
 Press 12 01 5678 00 *. (Pin Code = 5678 in loc. 01.)

To Delete a Pin Code:
 Press 12 00 0000 00 *. (Pin Code 1234 deleted.)
 Press 12 01 0000 00 *. (Pin Code 5678 deleted.)

To Program a Phone Code:
 Press 11 0 5551212 *. (Phone# 555-1212 in loc. 0.)
 Press 11 1 9877654321 *. (Phone# 987 765-4321 in loc. 1.)

To Delete a Phone Code:
 Press 11 0 0 *. (Phone # 555-1212 deleted.)
 Press 11 1 0 *. (Phone # 987 765-4321 deleted.)

To Program Latch Relay: (Relay 1)
 Press 22 7 *. (Latch tone = 7.)

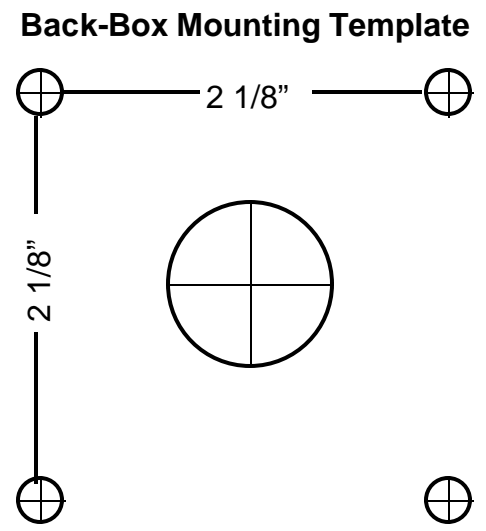
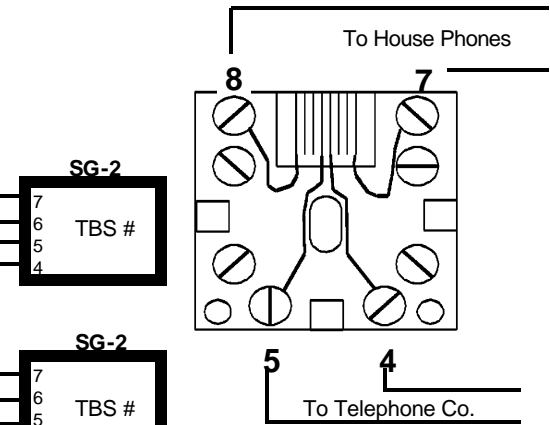
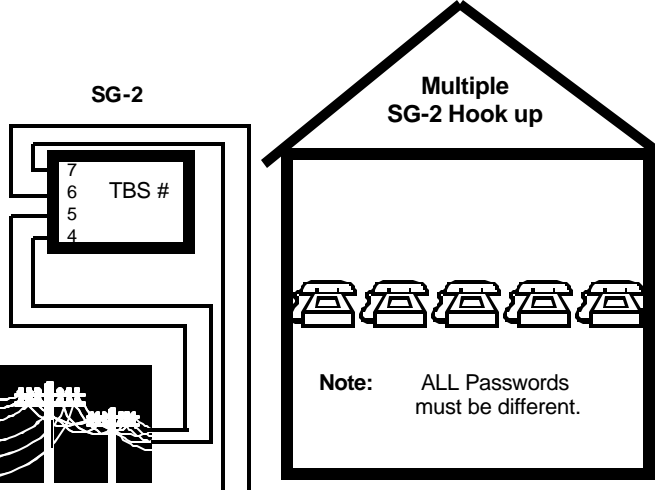
To Program Call Forwarding:
 Press 61 9 *. (Sets call forward tone to 9)
 Press 62 0 *. (Call forwards without alert to house.)
 Press 62 1 *. (Call forwards with alert to house.)

To Program Call Forwarding Phone Number:
 Press 65 9877654321 *. (Call forwards to 987 765-4321.)

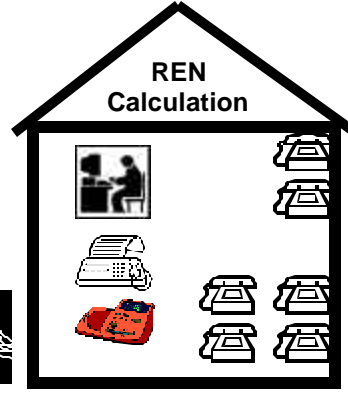
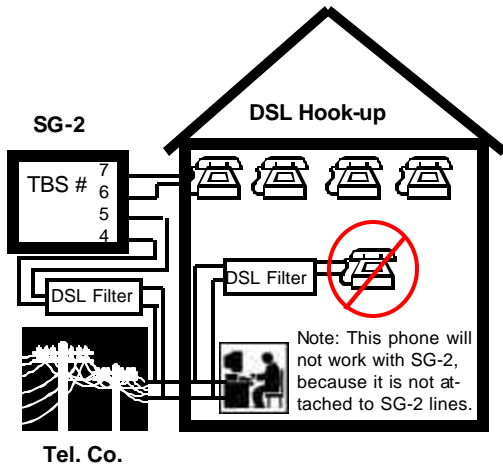
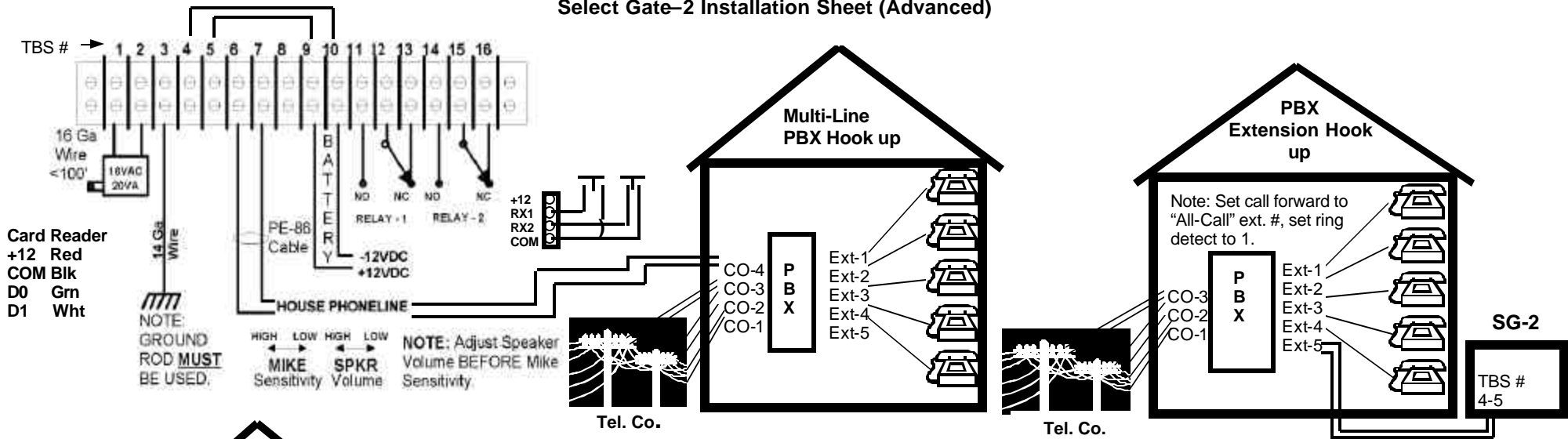
To Enable Call Forwarding: Press 64 1 *

To Program Gate Open Time: (Relay 1)
 Press 24 02 *. (Open time = 2 seconds.)
 Press 24 13 *. (Open time = 13 seconds.)

To Exit Program Mode: Press * and 0 at same time.
 Hear three beeps.



Select Gate-2 Installation Sheet (Advanced)



REN (Ringer Equivalence Number) = Number of phones in house that Phone Co. rules say can be rung.

Total REN value can NOT exceed value of: 5.0

Look on bottom of instrument, or on equipment label for REN number.

Typical example:

2 old style phones @ 1.0 REN = 2.0
 4 new style phones @ .6 REN = 2.4
 1 Computer modem @ .2 REN = .2
 1 Fax machine @ .2 REN = .2
 1 Answering mach. @ .1 REN = .1

For additional phones exceeding REN of 5.0 Contact SES for part number of ring boost device.

Total REN = 4.9

Telephone wiring table.

NOTE: MUST use direct burial rated outside plant wiring in compliance with ANSI/ICEA S-96-634-1996 REA PE-86 or RUS PE-86 requirements.

Wire Mfg	Wire Usage	Wire Type Designation	24 Ga. (Up to 1,000 ft. distance)	22 Ga. (Up to 5,000 ft. distance)	19 Ga. (Up to 10,000 ft. distance)
Superior/Essex	Above Grade	(RUS PE-86) BDW-A	04-098-85	04-055-84	02-023-85
Superior/Essex	Below Grade	(RUS PE-86) BDW-A	04-098-85	04-055-84	02-023-85
Superior/Essex	Gopher/Rodent	(RUS PE-86) BDW-G	04-094-16	04-055-17	04-030-16
General Cable	Below Grade	(RUS PE-86)	2095132	2095126	Not Available
General Cable	Gopher/Rodent	(RUS PE-86)	2095066	2095002	2095102

Alternate powering table and specifications.

Idle w/LED lighting: 120 ma.
 Ringing house: 300 ma.

Combinations of Solar cell chargers of sufficient current output or Batteries, may be wired into TBS-9 (+ 12 volts) and TBS-10 (- 12 volts) to operate SG-2.

NOTE: ANY charging devices (battery charger, etc.) MUST be isolated from earth ground.

Card Reader wire/cable table.

Above grade (recommended installed in pipe). <100 feet: Belden # 9940

Below grade (Direct burial): <500 feet: Belden # 9883

Plenum (Fire rated): <500 feet: Belden # 83604

NOTE: Card reader devices that draw > 100 ma. **MUST** use own external ungrounded DC supply.